

ALUMINIUM TOWERS

"build-up your own IR beam barrier"

highlight:

Towers BEC series

New Towers BET series

IR Beams BSBE series



MADE IN ITALY



OUTDOOR PROTECTION
OUR PROFESSION

www.ais-security.be



BEC series

Professional extruded anodized aluminium towers



With its neat and unobtrusive design, the BEC Tower is the ideal solution for the fitting of almost all the Photoelectric Beams available in the security market. This special design allows 180° protection range, and is available in different standard heights:

150 cm, 200 cm, 250 cm, 300 cm.

Tailored size can be manufactured upon request.

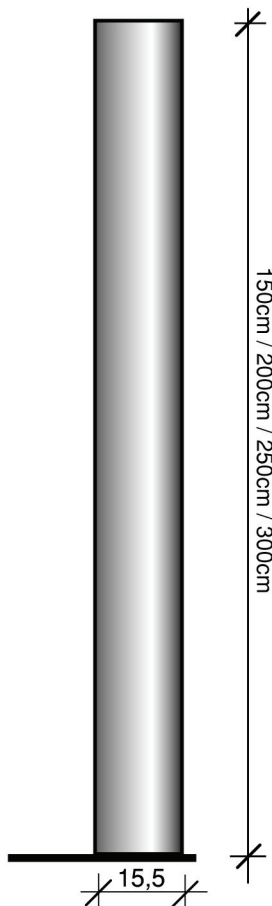
TOWER CONSISTS OF

Extruded aluminium profile

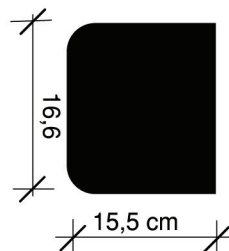
Polycarbonate Cover (Upon Request Plexiglas cover for camera mounting is available)

ABS Top-Cover with Tamper Protection

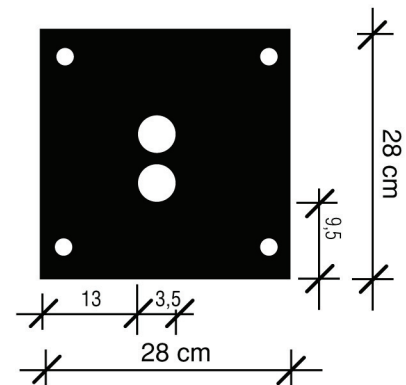
PRODUCTS	DESCRIPTION
BEC150	Aluminium tower with tamper and top cover – high 1,50 mt.
BEC200	Aluminium tower with tamper and top cover – high 2,00 mt.
BEC250	Aluminium tower with tamper and top cover – high 2,50 mt.
BEC300	Aluminium tower with tamper and top cover – high 3,00 mt.
ACCESSORIES	DESCRIPTION
BEC040	Surface basement for BEC150/200/250
BEC041	Reinforced Surface Basement (for BEC250/300)
BEC030BE	Support plate for IR Beam mounting
BEC010	Heater Resistance with Thermostat (24VDC)
BEA1224ALI	Built-in Power Supply (230VAC-12VDC/24VAC)
BEC031	Support for Power Supply
BEC032	Support for battery (max. 12V-7Ah)
BEC035	Additional Top-Cover (in case of wall mounting)



COLUMN TOP VIEW



BASEMENT TOP VIEW





BET series

Smart extruded anodized aluminium towers

Brand new smart BET towers are robust and decreet enclosures capable to host most of the Photoelectric Beams available in the market. **The middle screw rail allows to install beams at any height without the use of additional support plates**, making the installation faster and more cost effective compare to traditional solutions. The tower section has been design for 180° protection range, and is available in different standard heights:

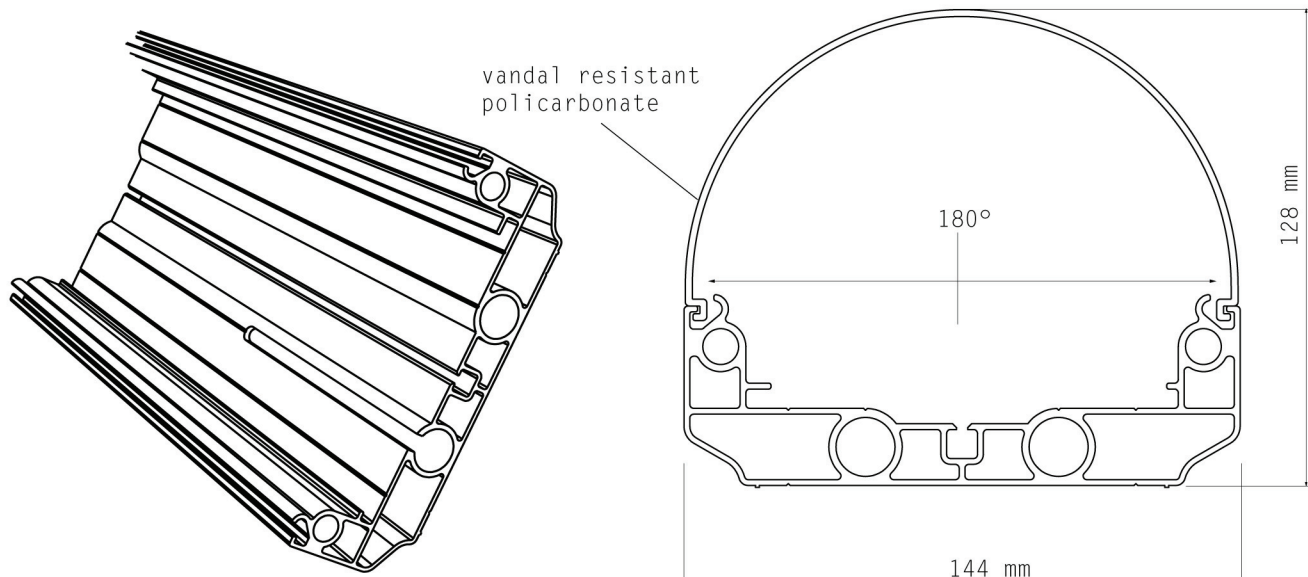
150 cm, 200 cm, 250 cm, 300 cm.

Tailored size can be manufactured upon request.

TOWER CONSISTS OF

- Extruded aluminium profile
- Polycarbonate Cover
- ABS Top-Cover with Tamper Protection

PRODUCTS	DESCRIPTION
BET150	Aluminium tower with tamper and top cover - high 1,50 mt.
BET200	Aluminium tower with tamper and top cover - high 2,00 mt.
BET250	Aluminium tower with tamper and top cover - high 2,50 mt.
BET300	Aluminium tower with tamper and top cover - high 3,00 mt.
ACCESORIES	DESCRIPTION
BET040	Surface basement for BET series
BET041	Reinforced side bracket (for BET250/300)
BEA1224ALI	Built-in Power Supply (230VAC-12VDC/24VAC)
BET510	Heater Resistance with Thermostat (24VDC)



BSBE

Outdoor Active Compact IR beams



Resist to strong light, up to 50,000 Lux, with built-in automatic adjustment strong light filtering system, to avoid being affected by strong sunshine and car lights. Fully protected by integrated structural design, which allows the equipment to operate normally in severe weather condition.

Thanks to its compact design this new series could be used for single beam installations as well as multi-beam configurations due to the new 8 (eight) digital frequency channels.

MULTIBEAMS CONFIGURATION

SICURIT provides state of the art towers with all the accessories necessary to customize your barriers for specific applications. BEC and BET towers are available in different heights, from 1,5 to 3 mt. Thanks to the digital frequency channels, up to 8 BSBE IR beams can be assembled in SICURIT towers for higher security degree.



Multibeam Configuration MAIN ADVANTAGES

- Less detectable by intruders because hidden (compare to standard pole-mounting installations)
- More safe against harsh weather conditions
- Impossibility for intruders to determine the number of beams and their position
- Space for lodging additional option devices e.g. power supply, batteries, etc.

PRODUCTS	DESCRIPTION			
BSBE050	3 beams digital active IR detector with range 50 mt.			
BSBE100	3 beams digital active IR detector with range 100 mt.			
BSBE150	3 beams digital active IR detector with range 150 mt.			
BSBE200	3 beams digital active IR detector with range 200 mt.			
Technical Features	BSBE050	BSBE100	BSBE150	BSBE200
Range	50 mt.	100 mt.	150 mt.	200 mt.
Number of Beams	3			
Digital Frequency Channels	8 selectable			
Detection mode	3 beams blocked simultaneously			
Response time	35 / 700msec.			
Alarm Output	Relay contact output N.O. or N.C.			
Power Supply	13.8 - 24VDC			
Optical axis adjustment (H)	180°			
Optical axis adjustment (V)	20°			
Dimensions	27 (H) x 9,5 (W) x 9,5 (D) cm.			