

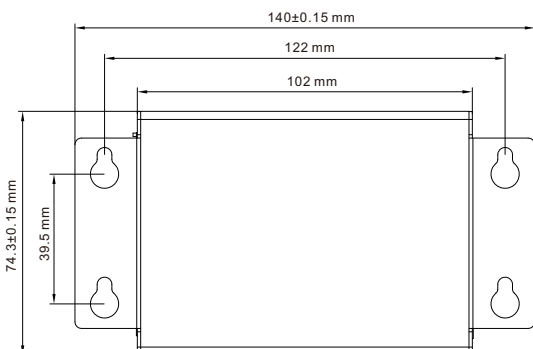
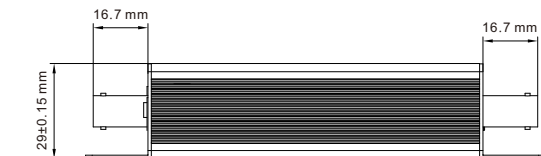
4 MP HD Video Server



Features

- 4MP (2560 x 1440) full real time coding
- Max. resolution: 2560 x 1440
- H.264, H.265 and MJPEG encoding
- Support 4MP AHD / CVBS video access; 2MP TVI / AHD / CVBS video access
- Micro SD card local storage of image and record with pre-alarm recording and auto cycle recording
- Smart analysis including line crossing, intrusion, exception detection (optional)
- PoE / DC12V power supply
- 1 CH alarm input and 1 CH alarm output
- Support three streams
- COC control
- Support ROI coding
- TVS 6000V lightning protection, surge protection

Dimensions



Specifications

Model	FLMI900
Specifications	
Video & Audio Input	
HD Analog Video Input	1 CH, BNC interface (level : 1.0Vp-p, impedance : 75Ω), PAL / NTSC self-adaptive, 4MP AHD / CVBS video access; 2MP TVI/AHD/CVBS video access
Audio Input	1 CH : 3.5 mm interface, share with MIC IN interface
Video & Audio Encoding Parameters	
Video Compression	H.264, H.265, MJPEG
H.264 Compression Standard	Baseline Profile / Main Profile / High Profile
Bit Rate Type	VBR / CBR
Quality	Five levels under VBR; Freely adjustable under CBR
Bit Rate	32Kbps ~ 16Mbps
Resolution	4MP (2560×1440), 3MP (2304×1296) / (2048×1536), 1080P (1920×1080), 960P (1280×960), 720P (1280×720), D1, CIF, 480×240
Multi-streams	4MP (1~30fps) / 3MP (1~30fps) / 1920×1080 (1~30fps) / 960P (1~30fps) / 720P (1~30fps) / 720P (1~30fps) / D1 (1~30fps) / CIF (1~30fps) / D1 (1~30fps) / 480×240 (1~30fps) / CIF (1~30fps)
Audio Compression	G711A / U
Image Settings	ROI, Saturation, Brightness, Chroma, Contrast, Wide Dynamic, Sharpen, NR, etc. adjustable through client software or web browser
ROI	Yes
Interfaces	
Network	RJ45
Audio	MIC IN × 1, SPK OUT × 1
Storage Card	Up to 128GB
RS485	Yes
Alarm Input	1 CH alarm input
Alarm Output	1 CH alarm output
Local Output	1 CH BNC output
Functions	
Remote Monitoring	IE browsing, CMS remote control
Online Connection	Support simultaneous monitoring for up to 6 users; Support multi-stream real time transmission
Network Protocol	TCP / IP, UDP, DHCP, NTP, RTSP, PPPoE, DDNS, SMTP, FTP
Interface Protocol	ONVIF, GB-T / 28181-2011
Image Snap	JPEG encoding, image quality adjustable
Smart Analysis	Exception detection, intrusion detection, line crossing detection
Ingress Protection	TVS6000V lightning protection, surge protection
Others	
Power Supply	PoE / DC12V
Power Output	Max 12V@0.5A
Power Consumption	< 4W
Operating Environment	-20°C ~ 55°C, 10% ~ 90% (relative humidity)
Dimensions (mm)	140 × 74.3 × 29 (W × D × H)
Weight (net)	220g
Installation	Wall mounting