

IR Illuminator 5000 LR

www.boschsecurity.com



BOSCH
Invented for life



- ▶ Integrated adjustable photocell
- ▶ Adjustable IR intensity
- ▶ Interchangeable beam pattern diffusers to match beam to camera
- ▶ Telemetry input and photocell output for external switching
- ▶ Self-cleaning lens coating technology

The infrared illuminator provides covert or semi-covert lighting for long-range indoor and outdoor surveillance applications. IR illumination dramatically improves night-time imaging, and reduces noise and bit rates. The set of interchangeable diffuser lenses means that beam patterns can be selected that match your application to provide accurately illuminated scenes. The self-cleaning window reduces maintenance requirements. Specifically designed for energy efficient operation, the illuminator can be powered directly from any 12 to 32 VDC or 24 VAC supply for faster, flexible, cost effective installations.

System overview

Energy efficient surface-mount high-power LEDs deliver maximum illumination with reduced power consumption. Advanced electronic control circuitry delivers improved thermal management, long life and low cost of ownership. A pressure equalization valve prevents thermal expansion and pressure cycling. Easy access to power and photo cell adjustment facilitates quick and easy installation.

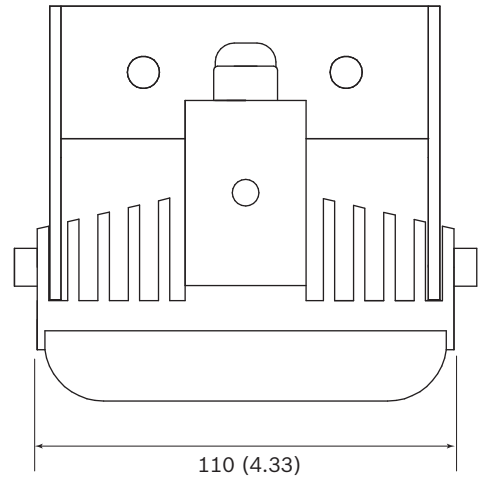
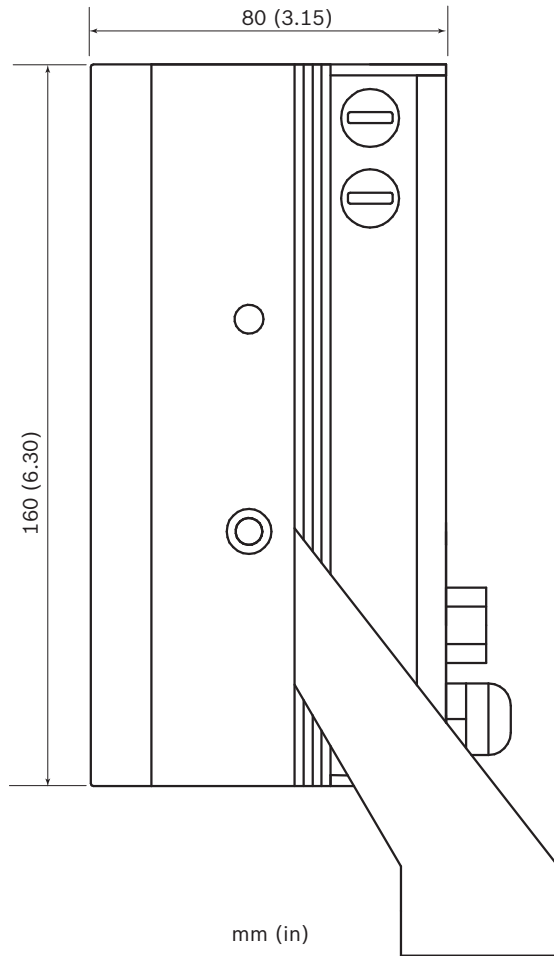
Certifications and approvals

Standards	
CE-EMC	EN 61547 (Lighting-Immunity)
	EN 55015 (Lighting-Emission)
	EN 62493 (Lighting EMF)
	EN 50130-4 (Alarm EMC)
Safety	
CE-LVD	EN-60598-1 (Luminaires-General)
	EN-60598-2-1 (Luminaires)
LED	EN 62471 Risk group 2 (LED safety)
Environmental	IEC / EN 60529 IP66
	IEC / EN 62262 IK09
	EN50130-5 Class IV (Alarm-environmental)
	EN 50581 RoHS,
USA cULus	UL 2108 Low Voltage Lighting Systems

Standards	
	UL 8750 Light Emitting Diode (LED) equipment for use in lighting systems
	CSA C22.2 No. 250.0-08 Luminaires
	FCC, Class B
AUS	RCM AS / NZS CISPR 22 Class B

Installation/configuration notes

Dimensions



Technical specifications

Power

Power supply	12 to 32 VDC or 24 VAC ±10%
Power consumption	39 W

Optical

Wavelength	850 nm or 940 nm
IR control	Adjustable IR intensity (10% to 100%)
Day/night switch	Photocell, sensitivity adjustable (20 lx to 70 lx)
Beam angles	10°, 20°, 30°, 60°, 80°, and 95°

Range 850 nm

Beam pattern diffuser	Achievable Distance*	HFOV
10°	268 m (510 ft)	47 m (154 ft)
20°	183 m (881 ft)	65 m (212 ft)
30°	134 m (440 ft)	72 m (236 ft)
60°	85 m (2802 ft)	99 m (324 ft)
80°	61 m (200 ft)	102 m (336 ft)
95°	43 m (140 ft)	93 m (306 ft)

Range 940 nm

Beam pattern diffuser	Achievable Distance*	HFOV
10°	165 m (540 ft)	29 m (95 ft)
20°	98 m (320 ft)	34 m (113 ft)
30°	79 m (260 ft)	42 m (139 ft)
60°	49 m (160 ft)	56 m (185 ft)

Range 940 nm		
Beam pattern diffuser	Achievable Distance*	HFOV
80°	37 m (120 ft)	61 m (202 ft)
95°	24 m (80 ft)	53 m (175 ft)

* Actual illumination distance achieved is dependent on camera and lens characteristics.

Mechanical	
Housing	Robust anodized aluminum extrusion, black
Front window	Polycarbonate high transmittance (vandal-resistant) with self-cleaning technology
Mount	Black powder coated stainless steel U-bracket (adjustable with M6 socket-head wrench)
Cable	3 m (9 ft)
Dimensions (W x D x H)	161 x 110 x 78 mm (6.34 x 4.33 x 3.07 in)
Weight	1.35 kg (3 lbs)

Environmental	
Operation Temperature Range	-50 °C to +50 °C (-58 °F to +122 °F)
Protection	IP66

Ordering information

IR Illuminator 5000 LR
 Long range IR illuminator
 850 nm
 Order number **IIR-50850-LR**

IR Illuminator 5000 LR
 Long range IR illuminator
 940 nm
 Order number **IIR-50940-LR**

Accessories

IIR-MNT-SLB Single L-bracket, black
 Illuminator single L-bracket, black
 Order number **IIR-MNT-SLB**

IIR-MNT-DLB Double L-bracket, black
 Illuminator double L-bracket, black
 Order number **IIR-MNT-DLB**

IIR-MNT-TLB Triple L-bracket, black
 Illuminator triple L-bracket, black
 Order number **IIR-MNT-TLB**

IIR-MNT-PMB Pole mount bracket, black
 Illuminator pole mount bracket, black
 Order number **IIR-MNT-PMB**

Represented by:

North America:

Bosch Security Systems, Inc.
130 Perinton Parkway
Fairport, New York, 14450, USA
Phone: +1 800 289 0096
Fax: +1 585 223 9180
security.sales@us.bosch.com
www.boschsecurity.us

Europe, Middle East, Africa:

Bosch Security Systems B.V.
P.O. Box 80002
5617 BA Eindhoven, The Netherlands
Phone: + 31 40 2577 284
Fax: +31 40 2577 330
emea.securitysystems@bosch.com
www.boschsecurity.com

Asia-Pacific:

Robert Bosch (SEA) Pte Ltd, Security
Systems
11 Bishan Street 21
Singapore 573943
Phone: +65 6571 2808
Fax: +65 6571 2699
apr.securitysystems@bosch.com
www.boschsecurity.asia

China:

Bosch (Shanghai) Security Systems Ltd.
203 Building, No. 333 Fuquan Road
North IBP
Changning District, Shanghai
200335 China
Phone +86 21 22181111
Fax: +86 21 22182398
www.boschsecurity.com.cn

Latin America and Caribbean:

Robert Bosch Ltda Security Systems Division
Via Anhanguera, Km 98
CEP 13065-900
Campinas, Sao Paulo, Brazil
Phone: +55 19 2103 2860
Fax: +55 19 2103 2862
latam.boschsecurity@bosch.com
www.boschsecurity.com