

H4 Video Intercom



The H4 Video Intercom integrates a 3 MP fisheye camera with a high-performance intercom and features exceptional wide dynamic range, low-light, noise reduction, and echo-cancelling technologies for clear viewing and two-way communication with visitors. Combined with Avigilon Control Center (ACC) video management software, this secured entry system enables operators to quickly and easily identify and communicate with a visitor before remotely granting access. The H4 Video Intercom also supports Avigilon Appearance Search[™] technology, which enables security operators to locate a specific person of interest quickly across all cameras on a site.

The H4 Video Intercom serves as a first line of defense for facilities where securing main entry points is critical. It can help schools verify campus access, provide parking entry to approved guests at hotels, and offer after-hours entry to retail staff. By providing and restricting access, the H4 Video Intercom helps enhance security while also maintaining convenience.

The innovative weather-, vandal-, and tamper-resistant, aluminum housing and adapter easily fit installations on walls and door frames, both indoors and outdoors. Its 3 MP wide-angle camera provides exceptional image quality even under challenging conditions with LightCatcher[™] technology, triple exposure, true Wide Dynamic Range (WDR), and adaptive infrared (IR) technologies. The integrated, single-button intercom provides an easy way to communicate with your Avigilon Control Center[™] client for entry control. Digital inputs and outputs can easily interface to any door locks. The camera uses HDSM SmartCodec[™], Idle Scene Mode, and patented High Definition Stream Management (HDSM)[™] technologies to reduce bandwidth and storage while maintaining high image quality.

KEY FEATURES

- 3 MP 170 degree wide-angle fisheye lens offers extended field of view to clearly capture individuals of different heights.
- Provides high quality clear bi-directional communication using noise reduction and echo-cancellation.
- Weather-, vandal-, and tamper-resistant, aluminum housing together with physical tamper detection offers reliable strength and durability.
- LightCatcher technology provides exceptional image quality in low light environments.
- Triple exposure Wide Dynamic Range for complex lighting environments.
- Integrated IR LEDs provide uniform illumination in the dark, even at 0 lux.
- Input and outputs for remote control of door locks and other equipment.
- Avigilon Appearance Search technology for fast video search across all cameras.
- Single network connection for video and audio using PoE.
- Easy door grant access via ACC[™] and ACM[™] integration.
- HDSM SmartCodec technology reduces bandwidth and storage requirements.

Specifications

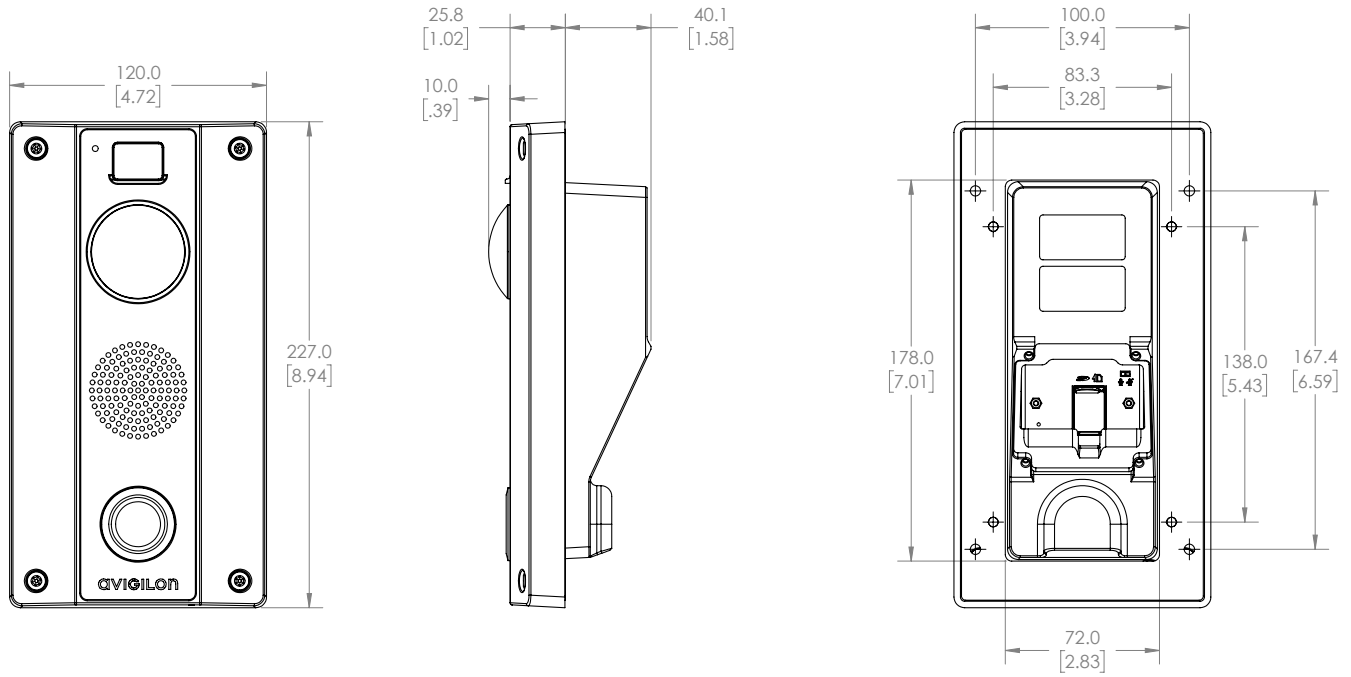
3.0 MP

IMAGE PERFORMANCE	Image Sensor	1/2.8" Progressive Scan CMOS						
	Aspect Ratio	4:3						
	Active Pixels (H x V)	2048 (H) x 1536 (V)						
	Imaging Area (H x V)	3.7 mm x 3.0 mm, 0.145" x 0.118"						
	Imaging Rate	30 fps						
	Minimum Illumination	With IR	0 lux					
		Without IR	0.14 lux (F2.4) in color mode; 0.03 lux (F2.4) in monochrome mode					
	IR Illumination	5 m (15 ft) max. distance at 0 lux						
	Dynamic Range	100 dB						
	Dynamic Range (WDR enabled)	120 dB triple exposure (20 fps or less); 100 dB dual exposure (30 fps)						
	Resolution Scaling	Down to 384 x 216						
	3D Noise Reduction Filter	Yes						
	LENS	Lens	1.83mm, F2.4, IR Corrected					
Angle of View (H x V)		170° x 120°						
IMAGE CONTROL	Image Compression Method	H.264 (MPEG-4 Part 10/AVC), Motion JPEG						
	Streaming	Multi-stream H.264 and Motion JPEG						
	Bandwidth Management	HDSM SmartCodec technology; Idle scene mode						
	Video Compression	H.264/MJPEG/HDSM SmartCodec technology						
	Motion Detection	Pixel						
	Tamper Detection	Yes						
	Electronic Shutter Control	Automatic, Manual (1/6 to 1/8000 sec)						
	Iris Control	Fixed						
	Day/Night Control	Automatic, Manual						
	Flicker Control	50 Hz, 60 Hz						
	White Balance	Automatic, Manual						
	Backlight Compensation	Adjustable						
	Privacy Zones	Up to 64 zones						
AUDIO CONTROL	Audio Streaming	Two-way, Full Duplex						
	Audio Compression Method	Opus, G.711						
	Audio Output	90 dB at 1m (3.3")						
	Audio Input/Output	Built-in microphone with hardware disable / Built-in speaker						
	Echo Cancellation	Yes						
	Noise Reduction	Yes						
NETWORK	Network	100BASE-TX						
	Cabling Type	CAT5						
	Connector	RJ-45						
	ONVIF®	ONVIF compliant with version 1.02, 2.00, Profile S						
	Security	Password protection, HTTPS encryption, digest authentication, WS authentication, user access log, 802.1x port based authentication						
	Protocols	IPv4, HTTP, HTTPS, SOAP, DNS, NTP, RTSP, RTCP, RTP, TCP, UDP, IGMP, ICMP, DHCP, Zeroconf, ARP						
	Streaming Protocols	RTP/UDP, RTP/UDP multicast, RTP/RTSP/TCP, RTP/RTSP/HTTP/TCP, RTP/RTSP/HTTPS/TCP, HTTP						
	Device Management Protocols	SNMP v2c, SNMP v3						
	PERIPHERALS	External I/O Terminals	Alarm In (1), Alarm Out (2), Tamper Out (1)					
Onboard Storage		microSD/microSDHC/microSDXC slot – minimum class 6; class 10/UHS-1 or better recommended						
Tamper Detection Switch		Yes						
MECHANICAL	Dimensions (LxWxH)	RECESSED MOUNT		SURFACE MOUNT				
		227 mm x 120 mm x 75.9 mm (35.8mm proud of wall) 8.94" x 4.72" x 2.99" (1.41" proud of wall)		227 mm x 120 mm x 99.6 mm 8.94" x 4.72" x 3.92"				
	Weight	1,230 g; 2.71 lb		2,450 g; 5.40 lb				
	Body	Aluminum; Bubble: Polycarbonate						
	Housing	Recessed Mount, Tamper Resistant		Surface Mount, Tamper Resistant				
	Finish	Powder Coat, Silver						
ELECTRICAL	Power Consumption	10W						
	Power Source	PoE: IEEE802.3af Class 3 compliant		VDC: 12V +/- 10%, 10W min				
	RTC Backup Battery	3V manganese lithium						
ENVIRONMENTAL	Operating Temperature	-40 °C to 60 °C (-40 °F to 140 °F)						
	Storage Temperature	-10 °C to 70 °C (14 °F to 158 °F)						
	Humidity	0-95% non-condensing						
CERTIFICATIONS	Certifications/Directives	UL	cUL	CE	ROHS	WEEE	RCM	
	Safety	UL 62368-1		CSA 62368-1	IEC/EN 62368-1			
	Environmental	IK10 Impact Rating on enclosure and IK08 on bubble			IP66 Rating			
	Electromagnetic Emissions	FCC Part 15 Subpart B Class B	IC ICES-003 Class B		EN 55032 Class B	EN 61000-6-3	EN 61000-3-2	EN 61000-3-3
	Electromagnetic Immunity	EN 55024			EN 61000-6-1		EN 50130-4	

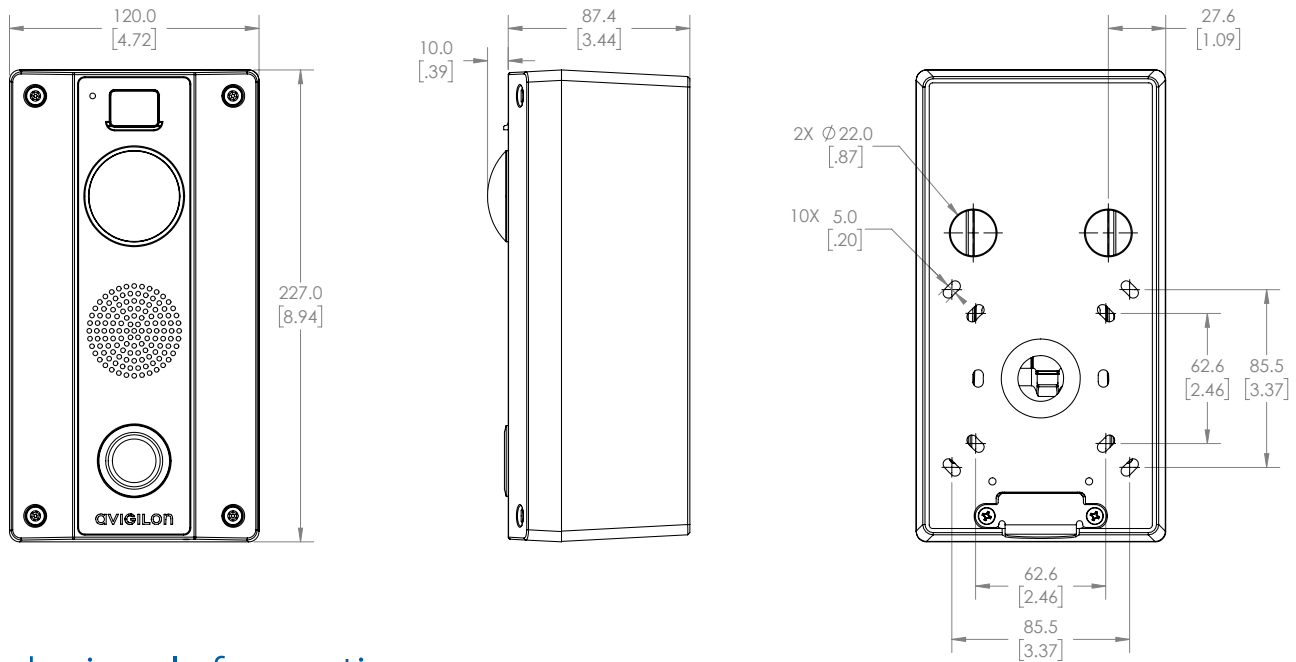
Outline Dimensions

[X.X]	INCHES
X	MM

Recessed Mount



Surface Mount



Ordering Information

	MP	WDR	LightCatcher Technology	IR	HDSM SmartCodec Technology
3.0C-H4VI-RO1-IR	3.0	✓	✓	✓	✓

Accessories Part Numbers

H4VI-MT-SURF1	Surface mount adapter for H4 Video Intercom
H4VI-AC-RELY1	Safety Relay for H4 Video Intercom